



G3840 SINGLE PAN, TWIN BASKET FRYER



KEY FEATURES

- Stainless steel hob with mild steel pan
 - *robust construction to withstand busy demands*
- Temperature range between 140 - 190°C
 - *variable, precise control*
- Sediment collection zone
 - *keeps oil cleaner for longer*
- Fast-acting safety thermostat
 - *peace of mind if oil accidentally overheats*
- Lid supplied as standard
 - *protects and extends oil life*
- Fish grid supplied as standard
 - *keeps cooked portions off pan base*
- Drain bucket supplied as standard
 - *mounted upon slide for easy withdrawal*
- Large diameter drain valve
 - *for simple and efficient pan draining*
- Electrical supply required
 - *simple to install and operate*
- Laser-etched control icons
 - *permanent, indelible markings*

MODELS and ACCESSORIES

G3840 Fryer

- Side and back screens c/w draining shelf
- Drain receptacle filter kit
- Factory fitted, adjustable castors
- Fixed installation kit
- Suiting kit

INSTALLATION NOTES

Adequate ventilation must be provided to supply sufficient fresh air for combustion and to allow easy removal of any such products that may present a risk to health. Please consult current legislation for details that relate to specific locations.

Install unit on a level, fireproof surface in a well-lit, draught free position. If floor is made of a combustible material, local fire requirements must be checked to ensure compliance.

A clearance of 150mm should be observed between appliance and any non-combustible wall.

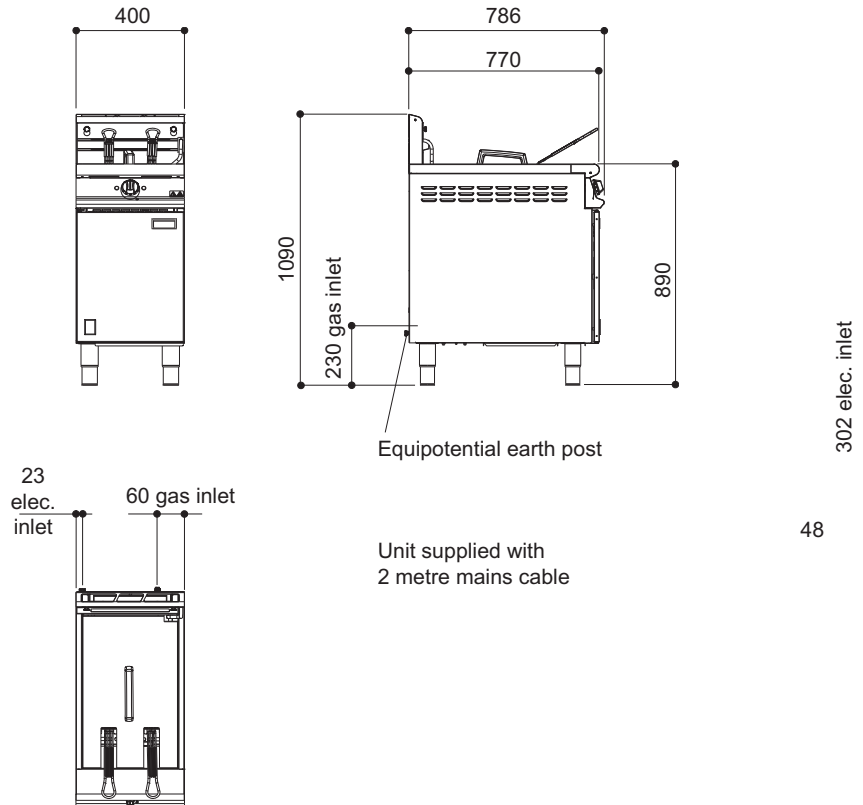




DOMINATOR PLUS

G3840 SINGLE PAN, TWIN BASKET FRYER

MODEL DIMENSIONS (in mm)



SPECIFICATION DETAILS

	G3840	
Total rating (<i>natural and propane - kW - Nett</i>)	23	
Total rating (<i>natural and propane - btu/hr - gross</i>)	86,300	
Electrical supply voltage	230V N~	
Inlet size (<i>natural and propane</i>)	3/4" BSP	
Flow rate - Natural gas (<i>m³/hr</i>)	2.43	
Flow rate - Propane gas (<i>kg/hr</i>)	1.78	<i>Notes:</i>
Inlet pressure (<i>natural and propane - mbar</i>)	20 / 37	* <i>Pre-blanching, chilled 15mm size.</i>
Operating pressure (<i>natural and propane - mbar</i>)	15 / 37	<i>Recommended load - 1.5kg per basket.</i>
Oil capacity (<i>litres</i>)	18	
Hourly chip output * (<i>kg</i>)	34	
Weight (<i>kg</i>)	83	
Packed weight (<i>kg</i>)	94	