



G9881 Gas Bratt Pan



Short Form Specification

Unit to be Falcon F900 Series bratt pan heated by gas burners. Unit to be supplied upon adjustable feet.

Burners lit by piezo ignition and pan tilts manually by turning of a front-mounted handle below the pan.

The hob will be constructed from 2mm 304 grade stainless steel. Hobs will be laser cut with right-angled edges to allow joining of units with no gaps between hobs. Exterior panels are Scotch Brite finish stainless steel. Control knob to be marked indicating a temperature range between 100°C to 290°C. Control knob to have a bezel behind each knob to prevent water ingress.

Unit will be for use with natural, propane or butane gas and be supplied with conversion kit.

Key Features

- 80 litre capacity stainless steel pan
- Fitted with safety thermostat as standard
- Burner lit by piezo ignition
- Manual pan tilt
- Counter-balanced lid
- 304 stainless steel pan with duplex base
- Precise temperature control from 100°C to 290°C
- Integrated water faucet as standard
- Supplied upon adjustable stainless steel feet
- 2mm thick 304 grade stainless steel hob
- Laser cut hob allows edge to edge joining of units
- Stainless steel external panels with Scotch Brite finish
- For use with natural, propane and butane gas. Conversion kit supplied with each unit
- Dynamic Link System Compatible



*Patent pending, application no. GB 1511389.7

Integrated linking system allows quick and easy installation to create a continuous cookline.

Patent pending, application no. GB 1511389.

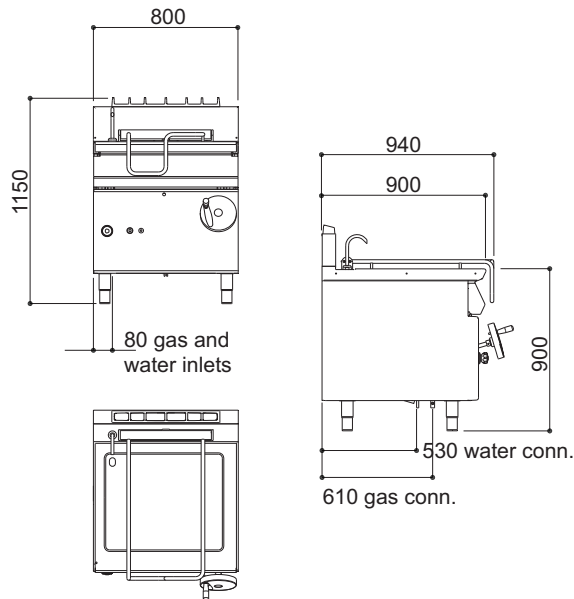
Optional Accessories

- Front hob rail
- Side cover panel
- Kick plate
- Castors



G9881 Gas Bratt Pan

Model Dimensions (mm)



Specification Details

	Natural Gas	Propane Gas	Butane Gas
Pan dimensions (w x d x h - mm)	720 x 560 x 225	720 x 560 x 225	720 x 560 x 225
Total rating (kW - Nett)	22	22	22
Total rating (btu/hr - gross)	82,573	82,573	82,573
Inlet size	R1/2	R1/2	R1/2
Flow rate	2.3m ³ /hr	1.73kg/h	1.73kg/h
Inlet pressure (mbar)	20/37	20/37	20/37
Operating pressure (mbar)	10/34	10/34	10/34
Burner rating (kW - Nett)	22	22	22
Burner rating (btu/hr - gross)	82,573	82,573	82,573
Electrical rating (kW - Nett)	0.9	0.9	0.9
Electrical supply	230V~ 50hz	230V~ 50hz	230V~ 50hz
Water connection (mm)	Ø12	Ø12	Ø12
Weight (kg)	139	139	139
Packed weight (kg)	164	164	164
Packed dimensions (mm)	870mm (w) x 1070mm (d) x 1270mm (h)		

Installation Note:

Please consult local legislation with regard to installation of cooking equipment.

